



Pricing is LIST. Contact your sales representative for discount.

**BENCHMARK CONTRACT FURNITURE**

Style	Application	Size	LIST Price												
<b>Monarch 2-Seat</b> 17216	<b>Cluster Frame - Straight</b> Two chair heads	Exterior Overall size: 60" x 30" x 35"H. 18"SH. 30" Table height.													
		Heavy duty welded tubular aluminum frame - standard RAL powder coat colors apply. Chair heads: Standard with Monarch Duo style. Upgrade to Monarch Reveal or Linear chair heads for \$169 LIST per chair. Tabletop included - select from solid surface, smooth aluminum, or aluminum with standard cutout options. Solid surface tops have 1" thick square eased edge - standard colors apply. Bolt down application. * Note: If table requires an umbrella hole it must be specified on order. * Note: Swivel seat option available - add \$135 LIST per seat.													
		<table border="1"> <thead> <tr> <th>TOP SIZE</th> <th>TOP STYLE</th> <th>LIST Price</th> </tr> </thead> <tbody> <tr> <td>24" x 30"</td> <td>Smooth Aluminum</td> <td>\$4,078</td> </tr> <tr> <td>24" x 30"</td> <td>Standard cutouts</td> <td>\$4,420</td> </tr> <tr> <td>24" x 30"</td> <td>Standard Solid Surface</td> <td>\$5,388</td> </tr> </tbody> </table>	TOP SIZE	TOP STYLE	LIST Price	24" x 30"	Smooth Aluminum	\$4,078	24" x 30"	Standard cutouts	\$4,420	24" x 30"	Standard Solid Surface	\$5,388	
TOP SIZE	TOP STYLE	LIST Price													
24" x 30"	Smooth Aluminum	\$4,078													
24" x 30"	Standard cutouts	\$4,420													
24" x 30"	Standard Solid Surface	\$5,388													

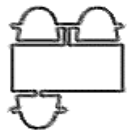
<b>Monarch 2-Seat</b> 17217	<b>Cluster Frame - Curved</b> Two chair heads	Exterior Overall size: 62" x 30" x 35"H. 18"SH. 30" Table height.													
		Heavy duty welded tubular aluminum frame - standard RAL powder coat colors apply. Chair heads: Standard with Monarch Duo style. Upgrade to Monarch Reveal or Linear chair heads for \$169 LIST per chair. Tabletop included - select from solid surface, smooth aluminum, or aluminum with standard cutout options. Solid surface tops have 1" thick square eased edge - standard colors apply. Bolt down application. * Note: If table requires an umbrella hole it must be specified on order. * Note: Swivel seat option available - add \$135 LIST per seat.													
		<table border="1"> <thead> <tr> <th>TOP SIZE</th> <th>TOP STYLE</th> <th>LIST Price</th> </tr> </thead> <tbody> <tr> <td>30" Dia</td> <td>Smooth Aluminum</td> <td>\$4,124</td> </tr> <tr> <td>30" Dia</td> <td>Standard cutouts</td> <td>\$4,463</td> </tr> <tr> <td>30" Dia</td> <td>Standard Solid Surface</td> <td>\$5,498</td> </tr> </tbody> </table>	TOP SIZE	TOP STYLE	LIST Price	30" Dia	Smooth Aluminum	\$4,124	30" Dia	Standard cutouts	\$4,463	30" Dia	Standard Solid Surface	\$5,498	
TOP SIZE	TOP STYLE	LIST Price													
30" Dia	Smooth Aluminum	\$4,124													
30" Dia	Standard cutouts	\$4,463													
30" Dia	Standard Solid Surface	\$5,498													

Pricing is LIST. Contact your sales representative for discount.

**BENCHMARK CONTRACT FURNITURE**

Style	Application	Size	LIST Price
-------	-------------	------	------------

<b>Monarch 3-Seat</b> 17218	<b>Cluster Frame ADA - Straight</b> Three chair heads One wheelchair access	Exterior Overall size: 72" x 48" x 35"H. 18"SH. 30" Table height.	
--------------------------------	---	---	--



Heavy duty welded tubular aluminum frame - standard RAL powder coat colors apply.  
 Chair heads: Standard with Monarch Duo style.  
 Upgrade to Monarch Reveal or Linear chair heads for \$169 LIST per chair.  
 Tabletop included - select from solid surface, smooth aluminum, or aluminum with standard cutout options.  
 Solid surface tops have 1" thick square eased edge - standard colors apply.  
 Bolt down application.  
 \* Note: If table requires an umbrella hole it must be specified on order.  
 \* Note: Swivel seat option available - add \$135 LIST per seat.

TOP SIZE	TOP STYLE	
30" x 48"	Smooth Aluminum	\$5,050
30" x 48"	Standard cutouts	\$5,557
30" x 48"	Standard Solid Surface	\$6,926

<b>Monarch 3-Seat</b> 17219	<b>Cluster Frame ADA - Curved</b> Three chair heads One wheelchair access	Exterior Overall size: 75" x 62" x 35"H. 18"SH. 30" Table height.	
--------------------------------	---	---	--



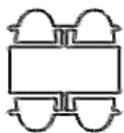
Heavy duty welded tubular aluminum frame - standard RAL powder coat colors apply.  
 Chair heads: Standard with Monarch Duo style.  
 Upgrade to Monarch Reveal or Linear chair heads for \$169 LIST per chair.  
 Tabletop included - select from solid surface, smooth aluminum, or aluminum with standard cutout options.  
 Solid surface tops have 1" thick square eased edge - standard colors apply.  
 Bolt down application.  
 \* Note: If table requires an umbrella hole it must be specified on order.  
 \* Note: Swivel seat option available - add \$135 LIST per seat.

TOP SIZE	TOP STYLE	
42" Dia	Smooth Aluminum	\$5,113
42" Dia	Standard cutouts	\$5,620
42" Dia	Standard Solid Surface	\$7,066

Pricing is LIST. Contact your sales representative for discount.

**BENCHMARK CONTRACT FURNITURE**

Style	Application	Size	LIST Price
<b>Monarch 4-Seat</b> 17220	<b>Cluster Frame - Straight</b> Four chair heads	Exterior Overall size: 72" x 48" x 35"H. 18"SH. 30" Table height.	



Heavy duty welded tubular aluminum frame - standard RAL powder coat colors apply.  
 Chair heads: Standard with Monarch Duo style.  
 Upgrade to Monarch Reveal or Linear chair heads for \$169 LIST per chair.  
 Tabletop included - select from solid surface, smooth aluminum, or aluminum with standard cutout options.  
 Solid surface tops have 1" thick square eased edge - standard colors apply.  
 Bolt down application.

\* Note: If table requires an umbrella hole it must be specified on order.  
 \* Note: Swivel seat option available - add \$135 LIST per seat.

	TOP SIZE	TOP STYLE	
	30" x 48"	Smooth Aluminum	\$5,705
	30" x 48"	Standard cutouts	\$6,381
	30" x 48"	Standard Solid Surface	\$7,581

<b>Monarch 4-Seat</b> 17221	<b>Cluster Frame - Curved</b> Four chair heads	Exterior Overall size 36"Dia: 72" x 72" x 35"H. 18"SH. 30" Table height. Overall size 42"Dia: 78" x 78" x 35"H. 18"SH. 30" Table height.	
--------------------------------	---	---	--



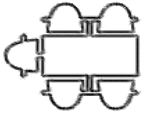
Heavy duty welded tubular aluminum frame - standard RAL powder coat colors apply.  
 Chair heads: Standard with Monarch Duo style.  
 Upgrade to Monarch Reveal or Linear chair heads for \$169 LIST per chair.  
 Tabletop included - select from solid surface, smooth aluminum, or aluminum with standard cutout options.  
 Solid surface tops have 1" thick square eased edge - standard colors apply.  
 Bolt down application.


\* Note: If table requires an umbrella hole it must be specified on order.  
 \* Note: Swivel seat option available - add \$135 LIST per seat.

	TOP SIZE	TOP STYLE	
17221-36	36" Dia	Smooth Aluminum	\$5,663
	36" Dia	Standard cutouts	\$6,339
	36" Dia	Standard Solid Surface	\$7,653
17221-42	42" Dia	Smooth Aluminum	\$5,916
	42" Dia	Standard cutouts	\$6,592
	42" Dia	Standard Solid Surface	\$8,122

Pricing is LIST. Contact your sales representative for discount.

**BENCHMARK CONTRACT FURNITURE**

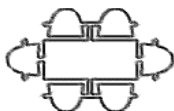
Style	Application	Size	LIST Price
<b>Monarch 5-Seat</b> 17222	<b>Cluster Frame ADA - Straight</b> Five chair heads One wheelchair access	Exterior Overall size: 84" x 72" x 35"H. 18"SH. 30" Table height.	
		Heavy duty welded tubular aluminum frame - standard RAL powder coat colors apply. Chair heads: Standard with Monarch Duo style. Upgrade to Monarch Reveal or Linear chair heads for \$169 LIST per chair. Tabletop included - select from solid surface, smooth aluminum, or aluminum with standard cutout options. Solid surface tops have 1" thick square eased edge - standard colors apply. Bolt down application. * Note: If table requires an umbrella hole it must be specified on order. * Note: Swivel seat option available - add \$135 LIST per seat.	
		<b>TOP SIZE</b>	<b>TOP STYLE</b>
		30" x 60"	Smooth Aluminum \$6,001
		30" x 60"	Standard cutouts \$6,846
		30" x 60"	Standard Solid Surface \$8,477

<b>Monarch 5-Seat</b> 17223	<b>Cluster Frame ADA - Curved</b> Five chair heads One wheelchair access	Exterior Overall size: 96" x 96" x 35"H. 18"SH. 30" Table height.	
		Heavy duty welded tubular aluminum frame - standard RAL powder coat colors apply. Chair heads: Standard with Monarch Duo style. Upgrade to Monarch Reveal or Linear chair heads for \$169 LIST per chair. Tabletop included - select from solid surface, smooth aluminum, or aluminum with standard cutout options. Solid surface tops have 1" thick square eased edge - standard colors apply. Bolt down application. * Note: If table requires an umbrella hole it must be specified on order. * Note: Swivel seat option available - add \$135 LIST per seat.	
		<b>TOP SIZE</b>	<b>TOP STYLE</b>
		57" Dia	Smooth Aluminum \$6,127
		57" Dia	Standard cutouts \$6,973
		57" Dia	Standard Solid Surface \$11,080

Pricing is LIST. Contact your sales representative for discount.

**BENCHMARK CONTRACT FURNITURE**

Style	Application	Size	LIST Price
<b>Monarch 6-Seat</b> 17224	<b>Cluster Frame - Straight</b> Six chair heads	Exterior Overall size: 102" x 72" x 35"H. 18"SH. 30" Table height.	



Heavy duty welded tubular aluminum frame - standard RAL powder coat colors apply.  
 Chair heads: Standard with Monarch Duo style.  
 Upgrade to Monarch Reveal or Linear chair heads for \$169 LIST per chair.  
 Tabletop included - select from solid surface, smooth aluminum, or aluminum with standard cutout options.  
 Solid surface tops have 1" thick square eased edge - standard colors apply.  
 Bolt down application.

\* Note: If table requires an umbrella hole it must be specified on order.  
 \* Note: Swivel seat option available - add \$135 LIST per seat.

	TOP SIZE	TOP STYLE	
	30" x 60"	Smooth Aluminum	\$7,226
	30" x 60"	Standard cutouts	\$8,240
	30" x 60"	Standard Solid Surface	\$10,548

<b>Monarch 6-Seat</b> 17225	<b>Cluster Frame - Curved</b> Six chair heads	Exterior Overall size 48"Dia: 87" x 87" x 35"H. 18"SH. 30" Table height. Overall size 57"Dia: 96" x 96" x 35"H. 18"SH. 30" Table height.	
--------------------------------	--	---	--



Heavy duty welded tubular aluminum frame - standard RAL powder coat colors apply.  
 Chair heads: Standard with Monarch Duo style.  
 Upgrade to Monarch Reveal or Linear chair heads for \$169 LIST per chair.  
 Tabletop included - select from solid surface, smooth aluminum, or aluminum with standard cutout options.  
 Solid surface tops have 1" thick square eased edge - standard colors apply.  
 Bolt down application.

\* Note: If table requires an umbrella hole it must be specified on order.  
 \* Note: Swivel seat option available - add \$135 LIST per seat.

	TOP SIZE	TOP STYLE	
17225-48	48" Dia	Smooth Aluminum	\$6,973
	48" Dia	Standard cutouts	\$7,987
	48" Dia	Standard Solid Surface	\$9,758
17225-57	57" Dia	Smooth Aluminum	\$7,585
	57" Dia	Standard cutouts	\$8,600
	57" Dia	Standard Solid Surface	\$10,970